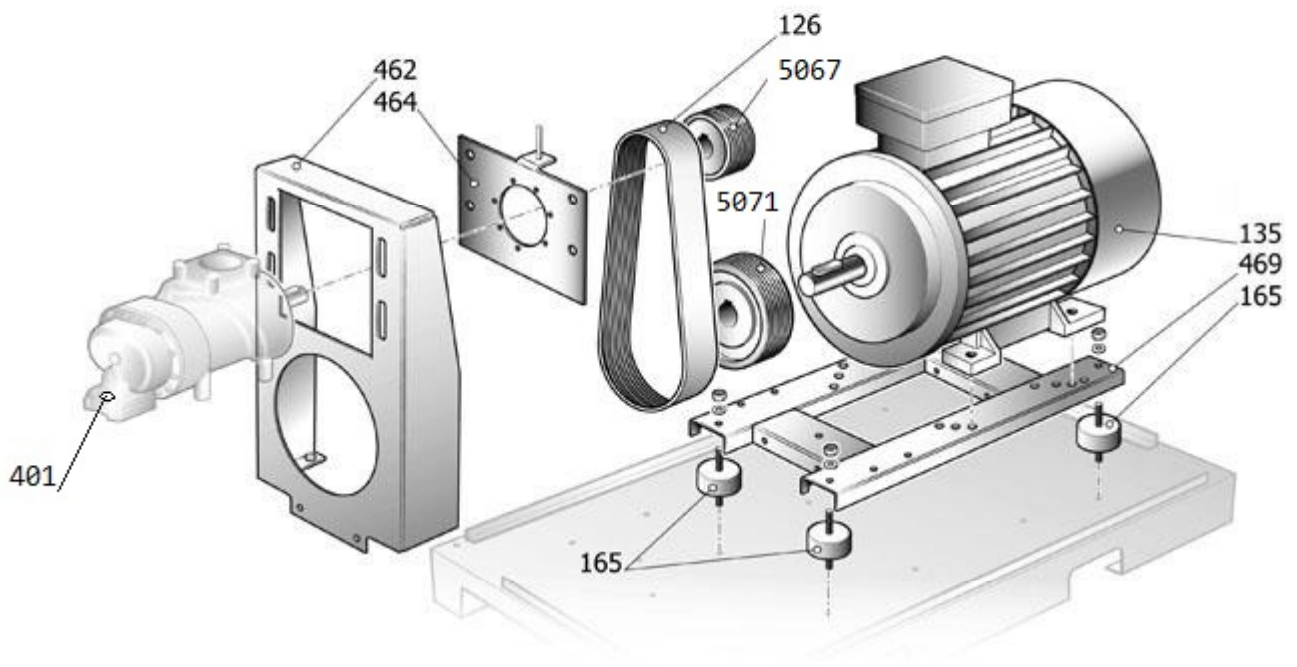




V60BA97N1N064

SIRIO 56-08 VS (IE3)

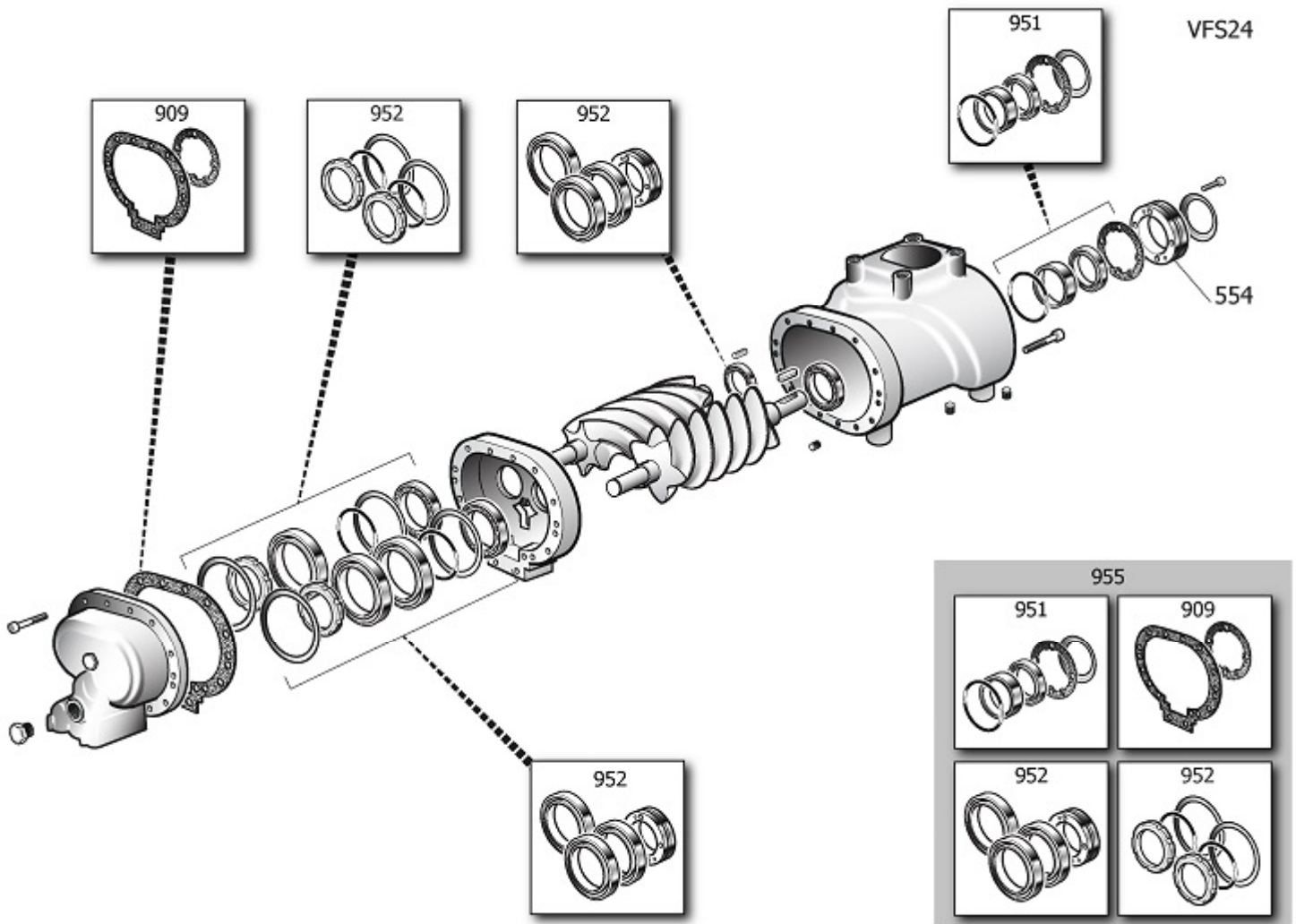
Pos	Component	MU	Multiplier
405	TRANSMISSION COMPONENTS		
450	COMPRESSOR COMPONENT		
600	#460BA0550V44 ELECTRIC CABINET	PZ	1,0
1000	LONG LIFE KIT LIST		





## TRANSMISSION COMPONENTS

Pos	Component	MU	Multiplier
126	#045191000	POLY V BELT	PZ 1,0
135	#540U205622E3	MOTOR	PZ 1,0
165	#020078000	VIBRATION DAMPER MF 7550 (LAGO	PZ 4,0
165	S_220005	ANTIV.100x50 MF M16 60Sh	PZ 2,0
401	#5307200000SGL	AIR END	PZ 1,0
462	#160BE0018V44	SCREW-MOTOR PLATE	PZ 1,0
464	#160BE0007V44	SCREW PLATE	PZ 1,0
469	#160AP0002V44	MOTOR PLATE	PZ 1,0
5086	#140529004	PULEGGIA 160-L20-60+BC3020	PZ 1,0
5087	#140530004	PULEGGIA 140-L20-45+BC3020	PZ 1,0

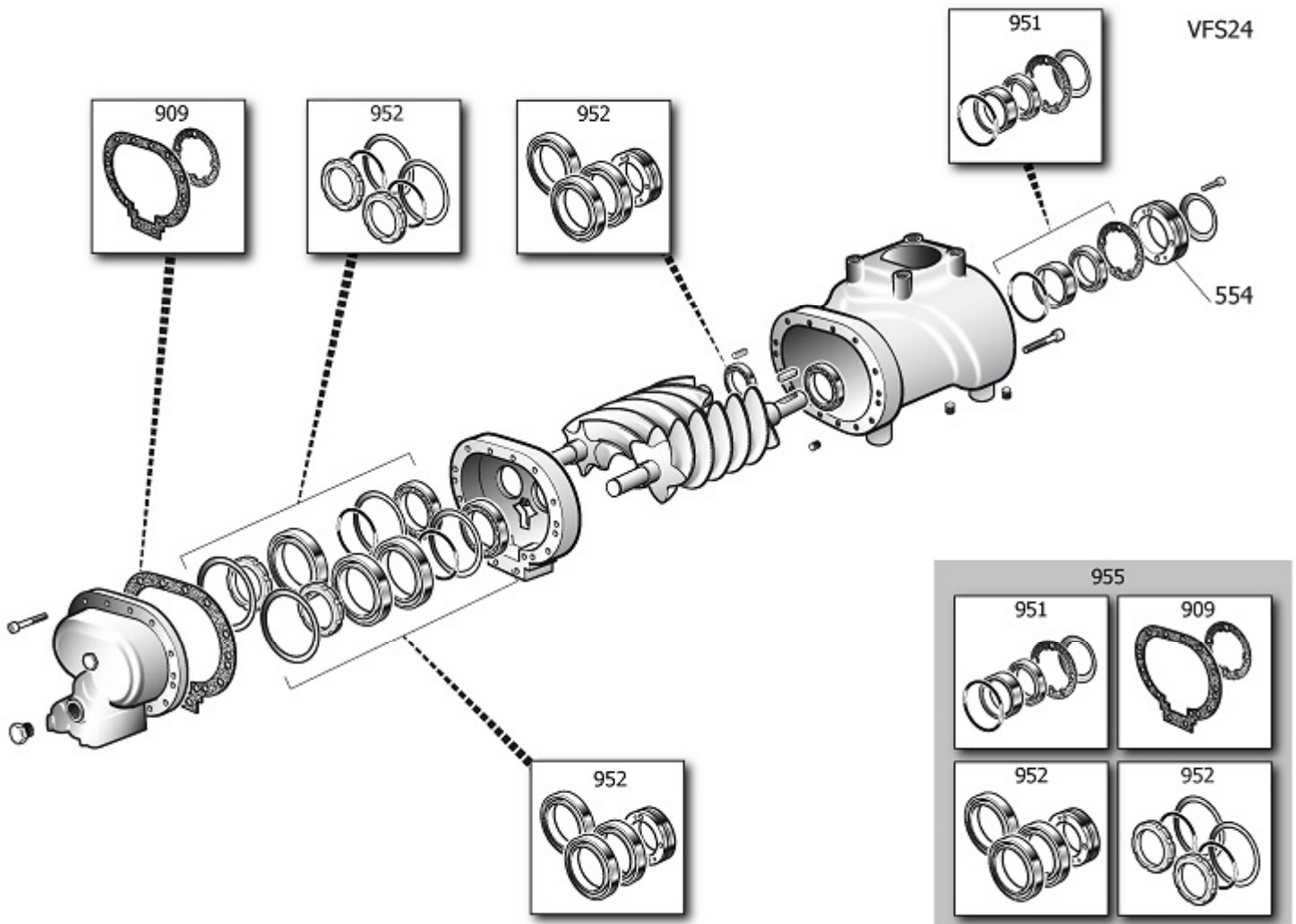




# GR.VITE FS240 9

AIR END

Pos	Component	MU	Multiplier
401	#5307200000 AIR END	PZ	1,0



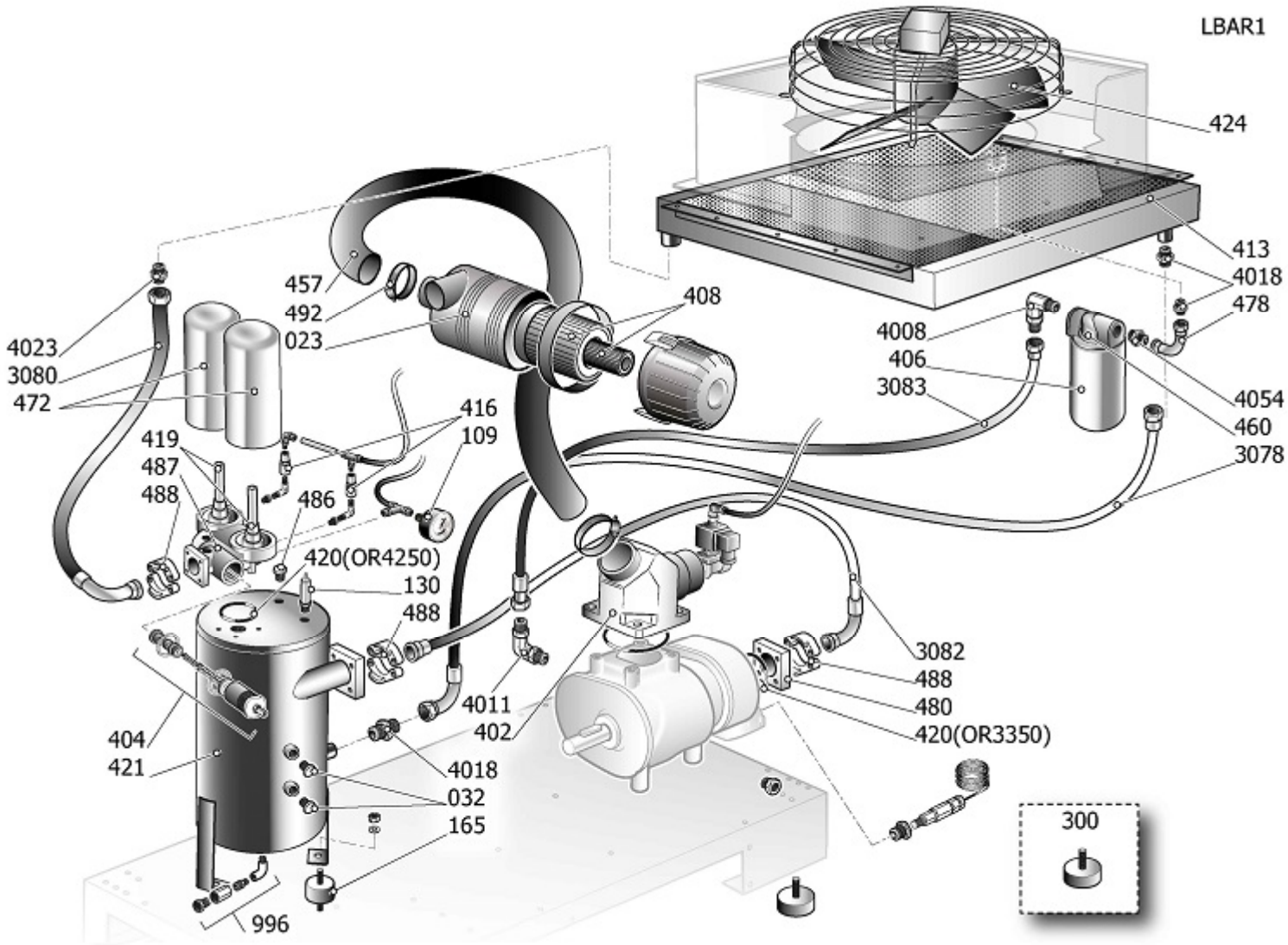


# GR.VITE FS240 (

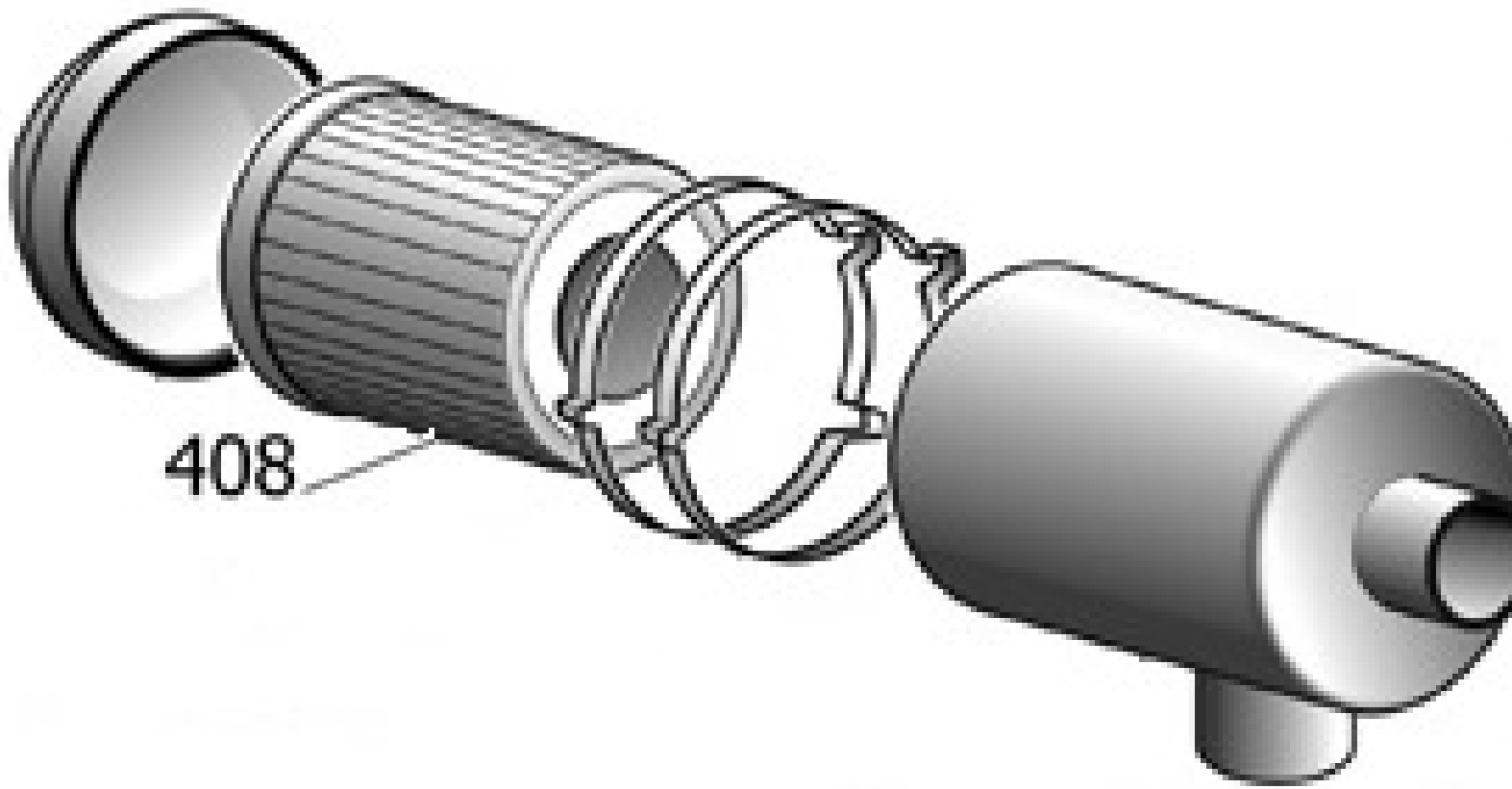
AIR END

Pos	Component	MU	Multiplier
951	S_1023903007 SEAL KIT	PZ	1,0
952	S_1023903005 BEARING KIT	PZ	1,0
953	S_1023903004 ROTOR KIT	PZ	1,0
954	S_1023903002 ADJUSTMENT UNIT	PZ	1,0





Pos	Component	MU	Multiplier
23	#317049000	AIR FILTER ASSEMBLY	PZ 1,0
32	9411267	OIL LIGHT	PZ 2,0
60	9417355	COVER SEAL	PZ 1,0
106	#322056010	LINE COCK	PZ 1,0
107	\$15300320	CONDENSATE DRAIN COCK	PZ 1,0
109	#330060100	PRESSURE GAUGE	PZ 1,0
110	9049317	RELIEF VALVE	PZ 1,0
165	#020194010	ANTIVIBR.D60X45 MM10X46 60SH	PZ 3,0
406	#048313000	OIL FILTER	PZ 1,0
413	#048509020	AIR-OIL RADIATOR	PZ 1,0
416	#012120000	OIL LIGHT	PZ 2,0
417	#012122000	OIL PLUG	PZ 1,0
420	#010093000	O-RING 3350 90X2,65	PZ 1,0
421	#160SA0011V41	OIL SEPARATOR TANK	PZ 1,0
424	#024113000	ELECTRIC FAN	PZ 1,0
457	#160AH0046	AIR TUBE	MT 1,0
460	#160AH0036	OIL FILTER HEAD	PZ 1,0
472	#048496000	SEPARATOR FILTER	PZ 2,0
478	#011494010	RACC.ADT.90\$GIR FF 1"	PZ 1,0
479	4106488	NIPPLE G1/2 GF280	PZ 1,0
480	#160AP0076	FLANGE	PZ 2,0
480	#160BE0021	FLANGE	PZ 1,0
482	#160AP0064	HOSE F1-1/2"BSP + SAE3000 1-1/	PZ 1,0
482	#160AP0067	HOSE OIL FF1"BSP SEP-RAD GIGA	PZ 1,0
482	#160BE0019	TUBO FLX 2" SAE FLD+FL90 L1420	PZ 1,0
482	#160BE0020	TUBO FLX 3/4 BSP FD+F90 L1250	PZ 1,0
484	4105975	UNION TEE R3/8	PZ 1,0
486	#011999009	PLUG	PZ 1,0
487	#160AP0050	SEPARATOR BLOCK	PZ 1,0
488	#160AP0075	FLANGE, DELIVERY END	PZ 2,0
492	#020200000	COLLAR	PZ 2,0
499	#160AP0072	TUBO RDG 2"X200 MM (28) N/DS	PZ 1,0
705	#419265009SGL	GR.ASP.IR100-24V (1)	PZ 1,0
4008	#011000410	RACC.ADT.90\$MM 3/4"OR-BSP	PZ 1,0
4011	#011455010	RACC.ADT.45\$MM 3/4" OR-BSP	PZ 1,0
4018	#011730000	NIPPLE 1"+OR	PZ 3,0
4023	#011445010	RACC.ADT.MM 1"1/2X2" OR-BSP	PZ 1,0
4054	#011729000	NIPPLE 1"X1--1/4"+OR	PZ 1,0



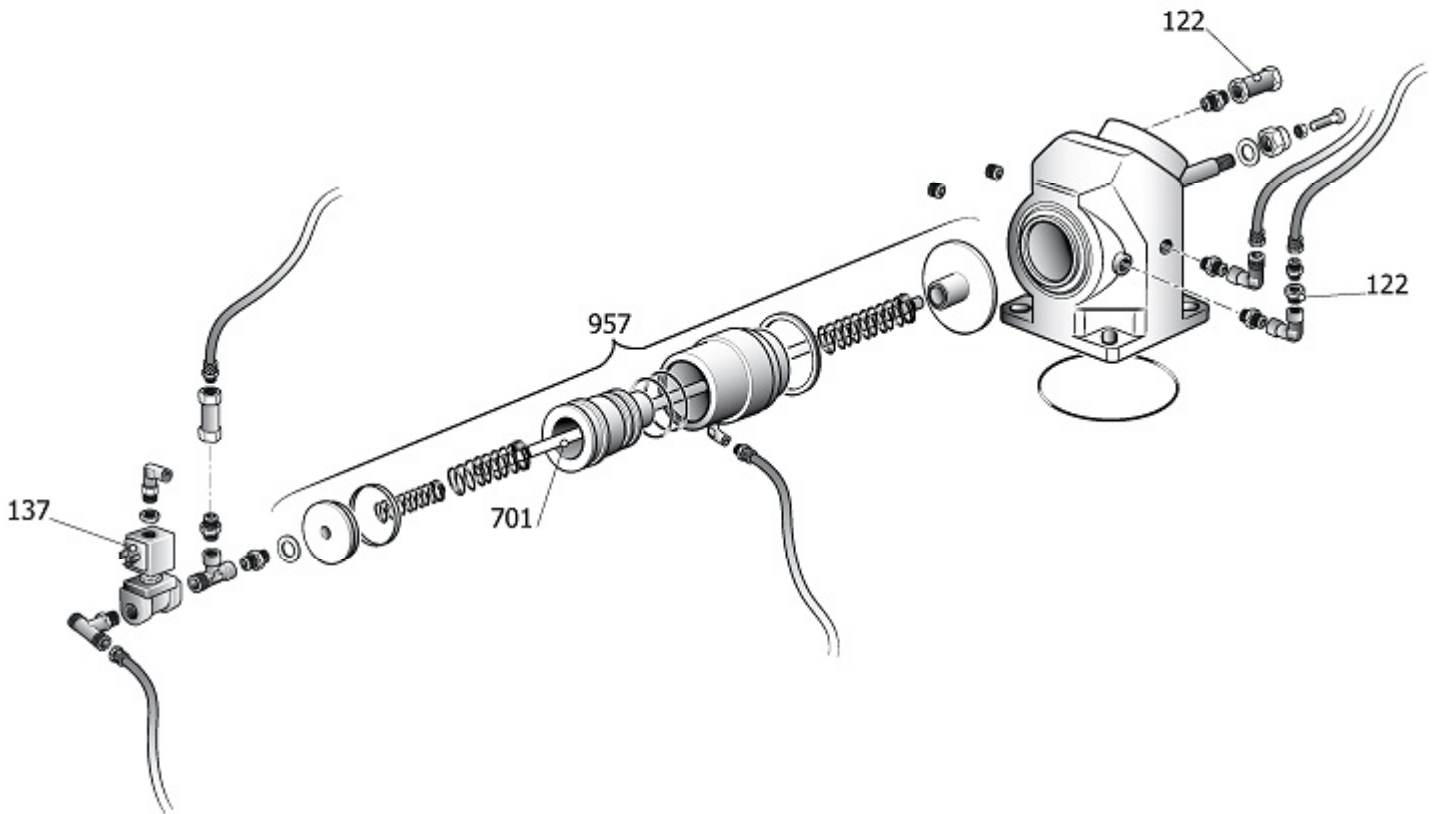


[317049000

AIR FILTER ASSEMBLY

Pos	Component	MU	Multiplier
408	#017067001 FILTER ELEM.8UM D254 H421	PZ	1,0

FIR70

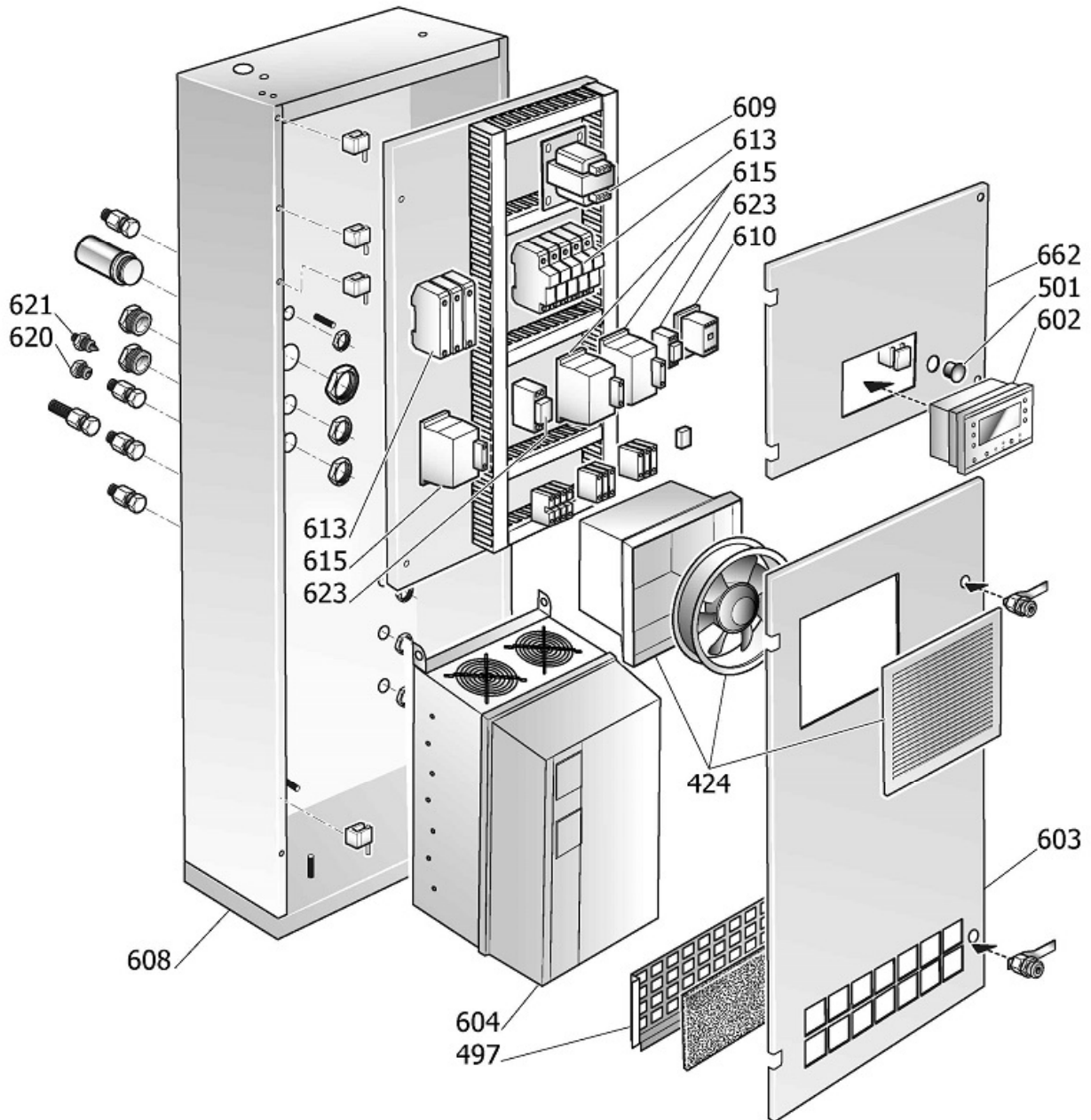




[419265009SGL

GR.ASP.IR100-24V (1)

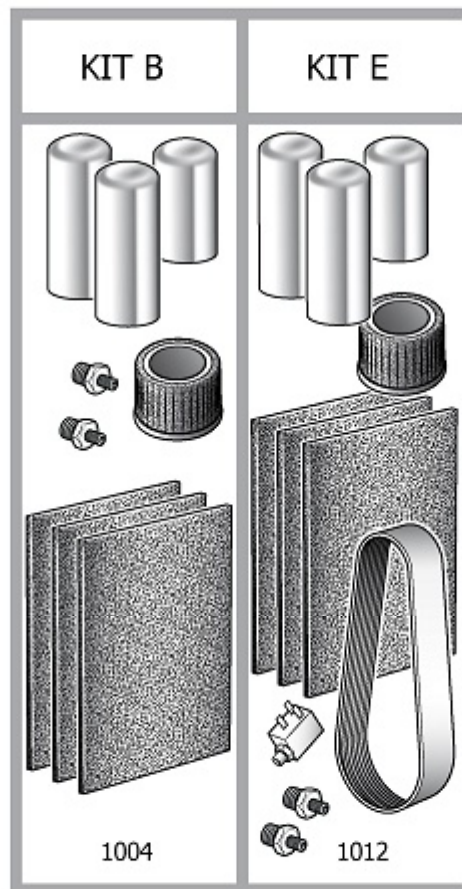
Pos	Component	MU	Multiplier
957	#419265010 INTAKE VALVE KIT	PZ	1,0



Pos	Component	MU	Multiplier
424	E0M00VENT33	ELECTRIC FAN	PZ 1,0
497	#160SY0055	PREFILTER	PZ 0,5
601	#008333000	TEMP. PROBE	PZ 1,0
602	#305420000SGL	CONTROLLER	PZ 1,0
603	#260BE0023V44	ELECTRIC COMPT. DOOR	PZ 1,0
604	#305428001	INVERTER	PZ 1,0
608	#160BE0001V44	ELECTRIC COMPARTMENT	PZ 1,0
609	E0M14160438	TRANSFORMER	PZ 1,0
610	E0M040004	PHASE SEQUENCE RELAY	PZ 1,0
613	E0M11WEBGG01	FUS.1A GG 10X38 CH10	PZ 2,0
613	E0M11WEBGG02	FUS.10X38-2A CH10	PZ 6,0
613	E0M11WEBGG06	FUS.10X38-6A CH10	PZ 2,0
613	E0M11WEB160G	FUS.160A NH00	PZ 3,0
615	#005685000	CNT.S3 115A 24V 3RT2047-1NB30	PZ 1,0
615	E0M013210	CNT.S00 9A 24V 3RT2016-1AB02	PZ 2,0
620	#008167010	TRANSDUCER	PZ 1,0
662	#260BE0004V44	CONTROL.FRAME ETIV	PZ 1,0
663	#005656000	TASTIER.FC101 132B0200 DANFOSS	PZ 1,0



LLK44





## LONG LIFE KIT LIST

<b>Pos</b>	<b>Component</b>		<b>MU</b>	<b>Multiplier</b>
1004	#260KTB39E	LLK A SI DB 56-75 VS	PZ	1,0
1012	#260KTE70E	LLK B SI DB 56-75 VS	PZ	1,0